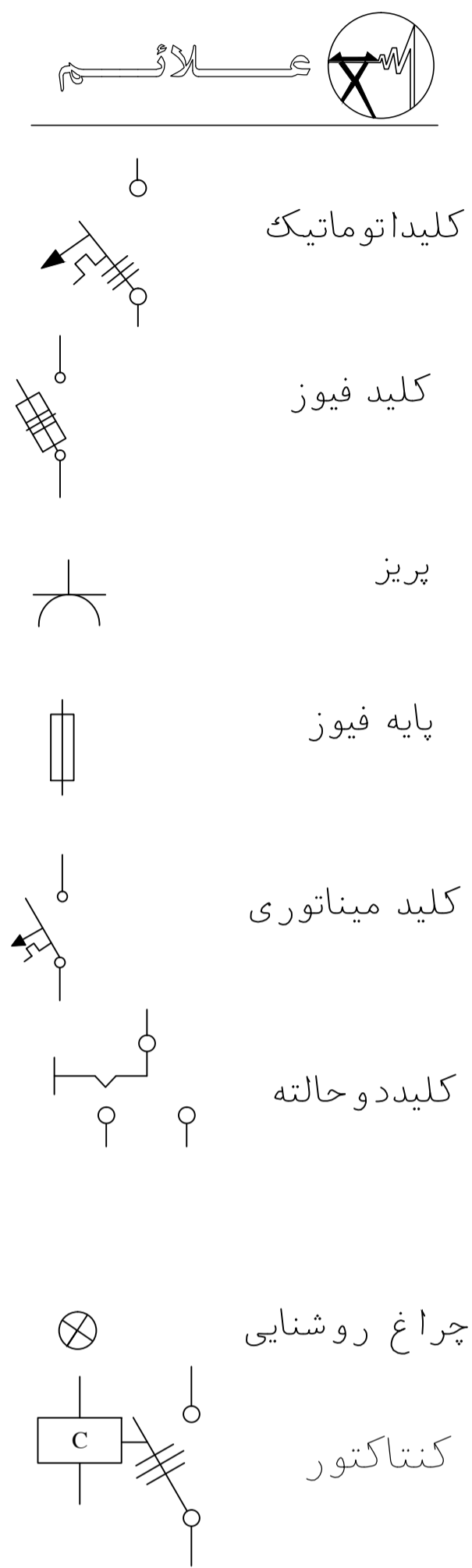
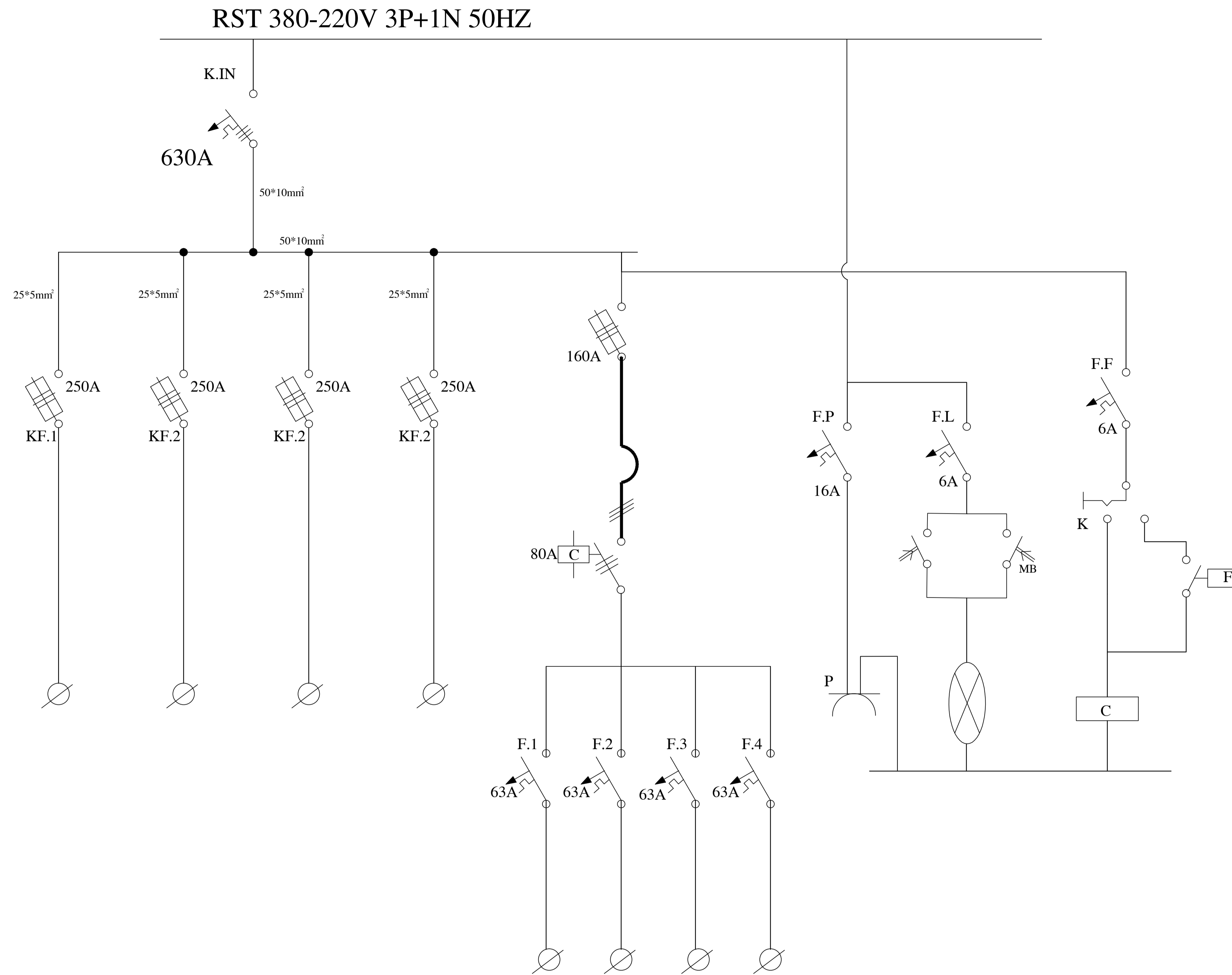


(F 30301)



|  |          |                       |             |            |           |
|--|----------|-----------------------|-------------|------------|-----------|
| 0                                      | 01/11/12 | Issued for Approval   | P.S.Co.     | P.S.Co.    | A. Karimi |
| Rev.                                   | Date     | Revisions description | Designed by | Checked by | Approved  |
| کارفرما: شرکت آهن و فولاد ارفع         |          |                       |             |            |           |
| طراح: شرکت فنی مهندسی پیرامون صنعت     |          |                       |             |            |           |
| Designer: P.S.Co.                      |          |                       |             |            |           |
| عنوان پروژه: توسعه جاده های فولاد ارفع |          |                       |             |            |           |
| Contractual Item:                      |          |                       |             |            |           |
| Drawing Title:                         |          |                       |             |            |           |
| 630 A PANEL-SINGLE LINE                |          |                       |             |            |           |
| Contractual Item:                      |          |                       |             |            |           |
| Designer: P.S.Co.                      |          |                       |             |            |           |
| Client Number:                         |          |                       |             |            |           |
| Approved1: A. KARIMI 01/11/12          |          |                       |             |            |           |
| Approved2: A. KARIMI 01/11/12          |          |                       |             |            |           |
| Scale: A1                              |          |                       |             |            |           |
| Sheet/Total: -/-                       |          |                       |             |            |           |